

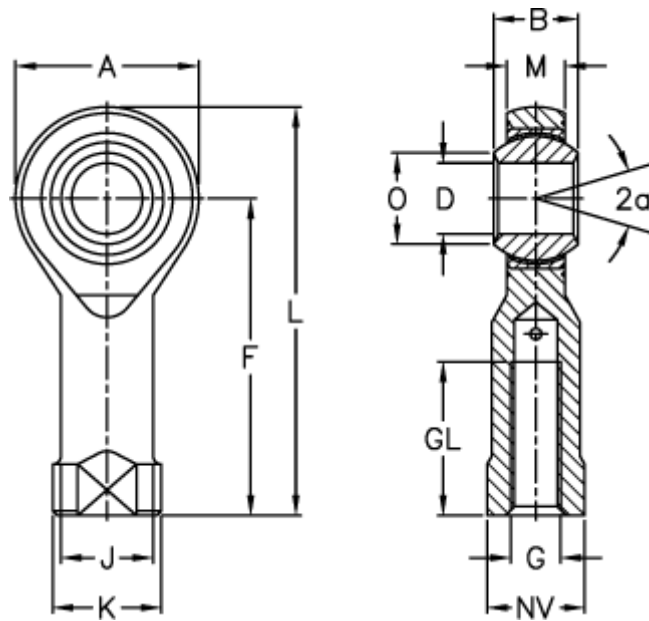
Data Sheet



Article number: 03009050

Description: Fluro Rod End GISW 50
Zinc Plated

Measures



A	= 116	J	= 65	Weight (g) = 5000
a (degrees)	= 14	K	= 78	
B	= 60	L	= 218	
D	= 50	M	= 45	
Dynamic load C (kN)	= 485	NV	= 65	
F	= 160	O	= 55.9	
G	= M48x2	Permissible rpm	= 80	
GL	= 65	Static load C0 (kN)	= 308	